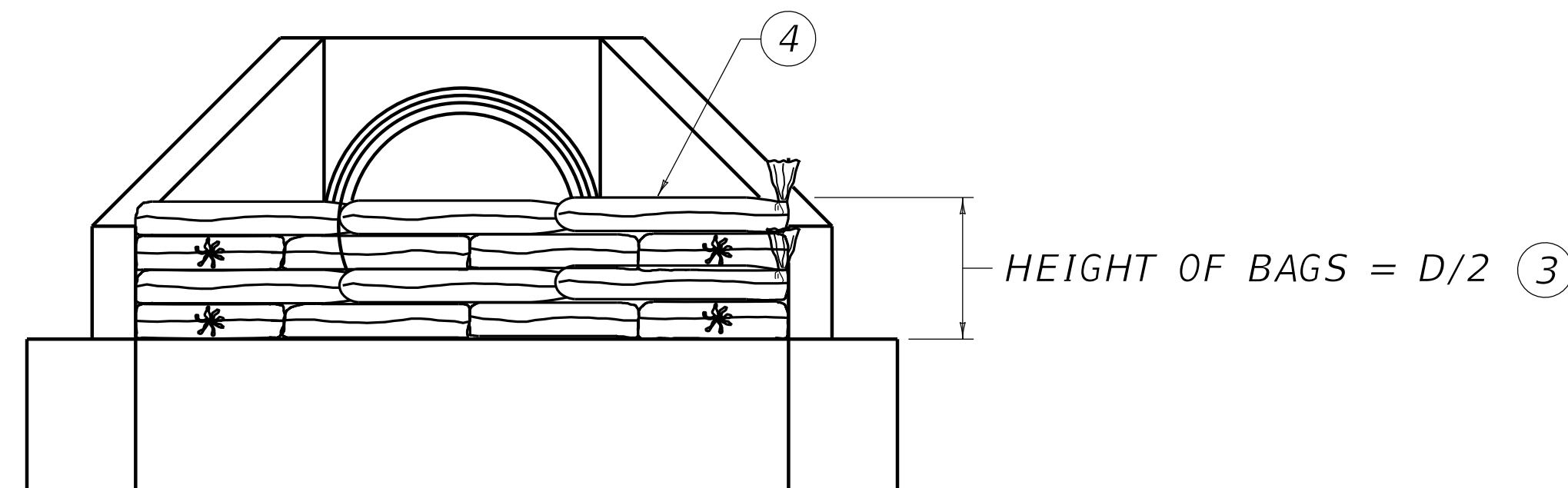


PLAN VIEW

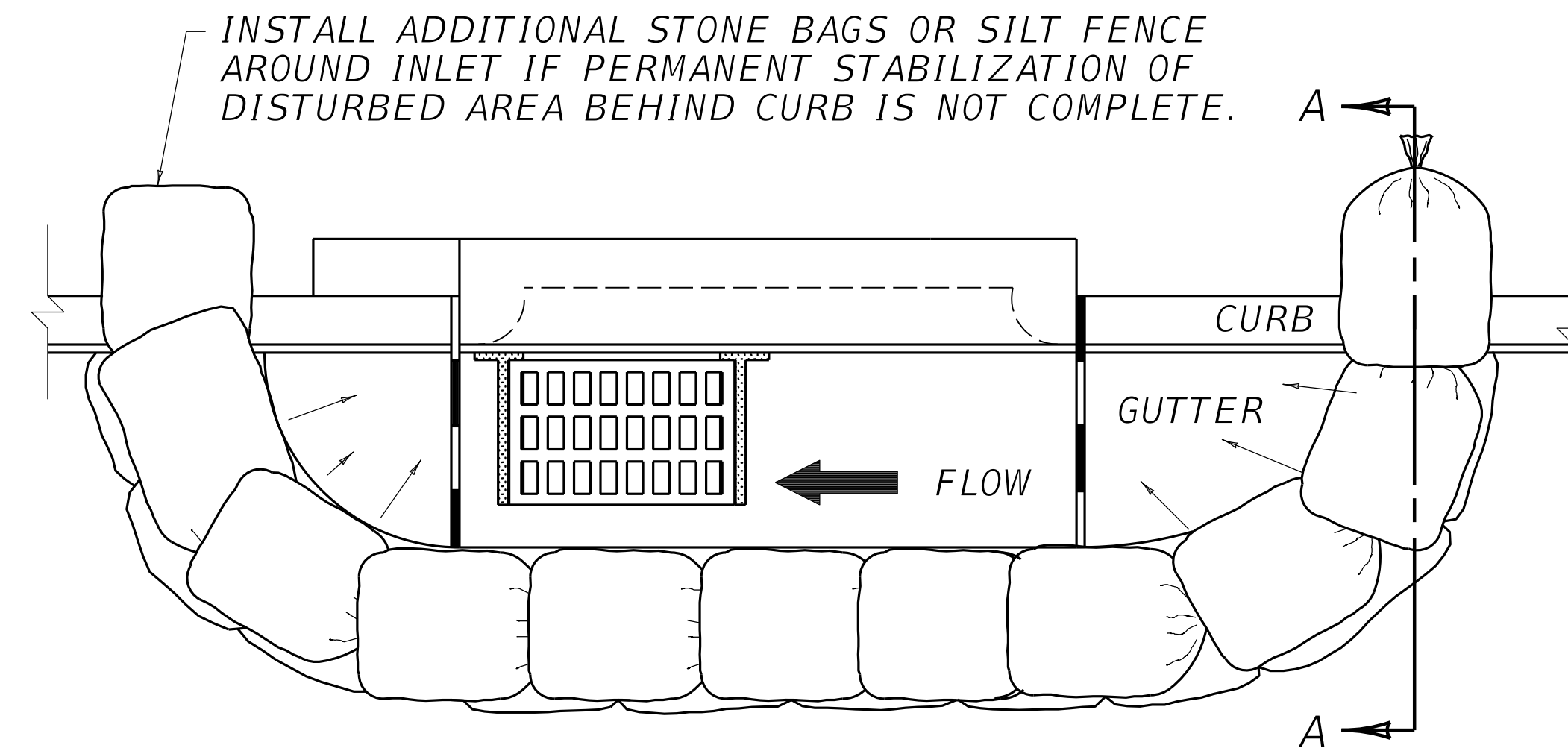


FRONT ELEVATION

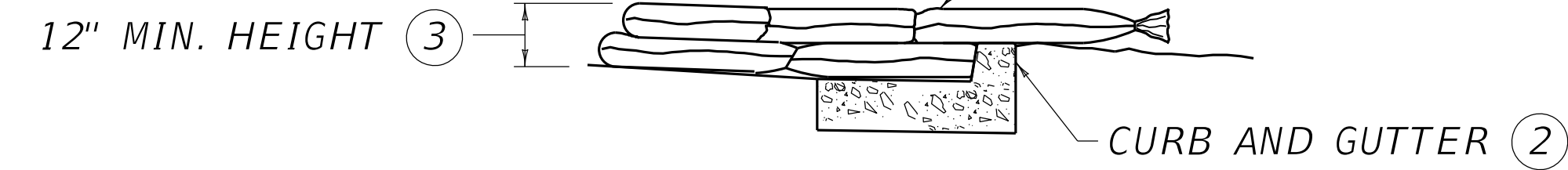
HEIGHT OF BAGS = $D/2$ (3)

~ NOTES ~

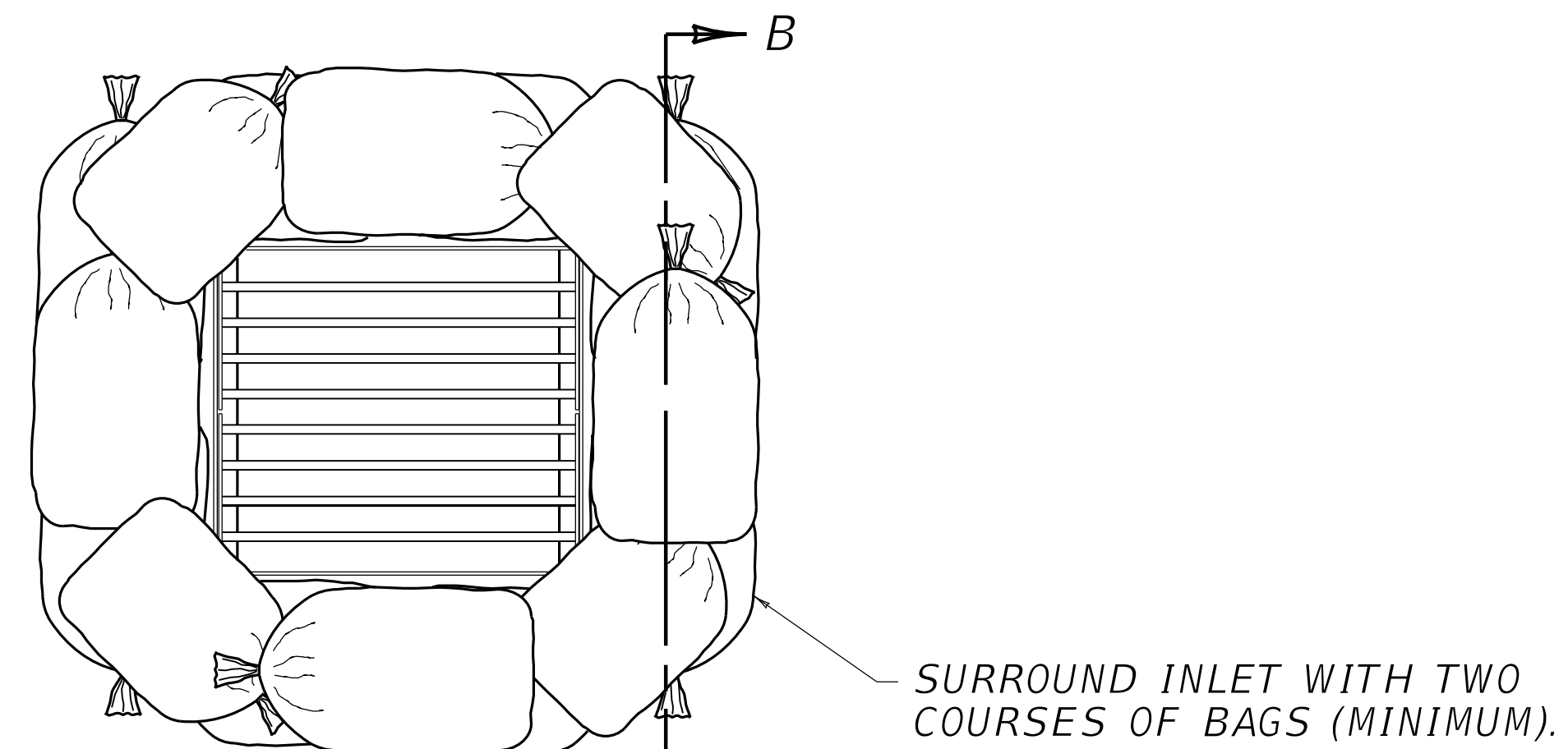
- BID ITEMS AND UNIT TO BID:
- | | |
|------------------------|------|
| SILT TRAP TYPE C | EACH |
| CLEAN SILT TRAP TYPE C | EACH |
- SILT TRAP TYPE C SHALL INCLUDE GEOTEXTILE FABRIC BAGS, NO. 57 STONE, LABOR AND ALL INCIDENTALS NECESSARY FOR ONE COMPLETE INSTALLATION.
 - INLET PROTECTION IS SUITABLE FOR USE IN BOTH PAVED AND UNPAVED AREAS.
 - THE HEIGHT REQUIREMENT IS WAIVED IN CASES WHERE IT WILL CREATE AN UNACCEPTABLE PONDING SITUATION ON THE PAVEMENT OR ON AN ADJACENT PROPERTY.
 - INTERWEAVE BAG ENDS TO FILL GAPS BETWEEN BAGS.
 - CONSTRUCT 18" X 30" BAGS OF NON-WOVEN CLASS 1 OR 2 GEOTEXTILE FABRIC CONFORMING TO SECTION 843 OF THE STANDARD SPECIFICATIONS. DOUBLE STITCH BAG SEAMS WITH 1 LB. POLYESTER THREAD. ATTACH ONE (1) TIE STRING TO EACH BAG. BAG OPENING SHALL BE ON 18" SIDE.
 - FILL BAGS WITH NO. 57 STONE BETWEEN 1/2 TO 2/3 FULL (50 LB TO 60 LB).
 - SILT TRAP TYPE C SHALL NOT BE USED IN BLUE LINE STREAMS.



PLAN VIEW

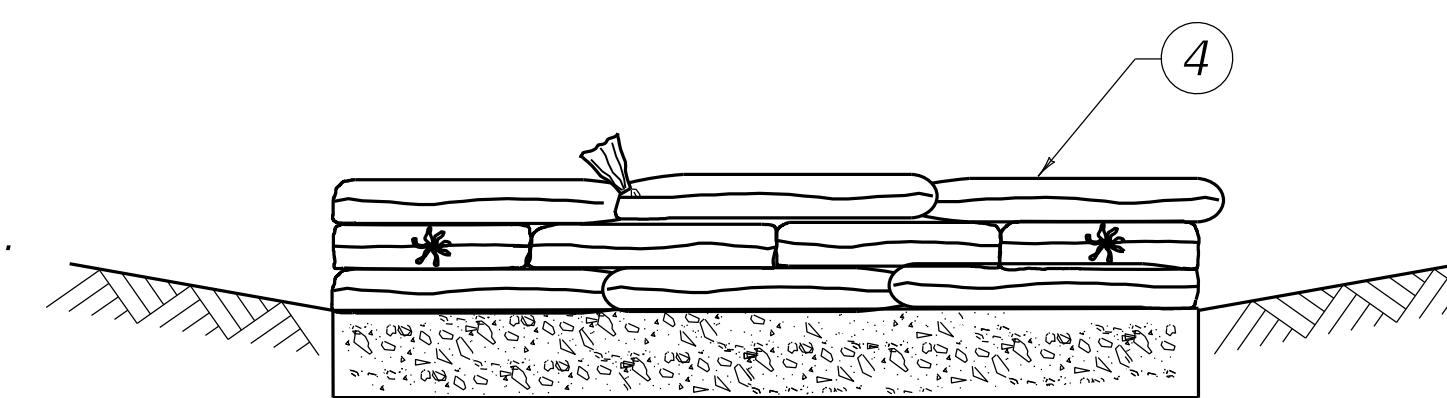


SECTION A~A



PLAN VIEW

SURROUND INLET WITH TWO COURSES OF BAGS (MINIMUM).



SECTION B~B

SUBMITTED *W. J. Lysan* 05-08-2023
DIVISION DIRECTOR DATE

